



## Handleiding

CMO easy lift

CM BSELO

**MSH equipment**  
Appelmarkt 7  
1681 PE Zwaagdijk-Oost  
Tel: 0228-561100  
Fax: 0228-561112  
Mail: [info@msh-equipment.nl](mailto:info@msh-equipment.nl)

Website: [www.msh-equipment.nl](http://www.msh-equipment.nl)

# **INDEX**

- 1. GENERAL INSTRUCTIONS**
- 2. USE**
- 3. IDENTIFICATION DATA OF EASY LIFT 3000**
- 4. PACKAGES**
- 5. BACKING PLATE FOR EASY LIFT 3000**
- 6. MOVEMENT**
- 7. OPERATING AREA FOR EASY LIFT 3000**
- 8. POWER SUPPLY AND CONNECTION**
- 9. INITIAL STARTING**
- 10. WARNING – PRECAUTIONS WHEN IN USE**
- 11. TROUBLES, CAUSES AND REMEDIES**
- 12. SAFETY DEVICES**
- 13. TECHNICAL DATA OF EASY LIFT 3000**
- 14. INDIVIDUAL PROTECTIONS**
- 15. CHECKS AND MAINTENANCE**
- 16. CLEANING**
- 17. WARRANTY AND SPARE PARTS**
- 18. ACCESSORIES**
- 19. SCRAPPING**
- 20. MACHINE LOG**

# 1. GENERAL INSTRUCTION

EASY LIFT 3000 is a mobile hydraulic crick lift, with a column structure, built and manufactured to work at wheel.

It offers the warranty of stability of the load both for raising and lowering operations.

The raise and descent are obtained using a sleigh fixed on a hydraulic cylinder, that is operated by a 350 bar hydraulic pump.

EASY LIFT 3000 has reduced dimensions (see par.14 technical data) and a remarkable ease of handling, obtained thanks to four wheels allowing an easy displacement.

The working operations are at man's height.

The equipment is supplied with the manual and the CE certificate.

The CE certificate and the Manual must follow the equipment also in case of its sale, and must be kept with the equipment.

## 2. USE

EASY LIFT 3000 is for work-shops, tire-shops and body-shops for maintenances, checks, and car repairing. It has not been built and it can not therefore be used to raise people.

EASY LIFT 3000 must be used inside, protected from the atmospheric events (rain, humidity, wind).

The room temperature, in which the lift is installed, must be between +10° and 40°centigrade.

EASY LIFT 3000 has not been thought for people operating under the lifted vehicle.

The non-respect of these rules in the use of EASY LIFT 3000 can involve heavy risks for the operator, falling only on his responsibility.

The user must employ the lift only in conformity with its use and all the instructions of the manufacturer.

**PLEASE NOTE:** The manufacturer and his distributors are not responsible for any possible damages to people or things caused by an inappropriate and irresponsible use of the lift different from the one described in this manual.

The first use of EASY LIFT 3000 involves the implicit acceptance from the user of all conditions prescribed by the manufacturer.

## 3. IDENTIFICATION DATA OF EASY LIFT 3000

The identification data of EASY LIFT 3000 - the serial number, the capacity and the connection data - are written on this manual and on the labels stuck on the structure.

The user must not take away, spoil or damage the labels on the structure.

The warranty automatically declines in case of their tampering.

## 4. PACKAGES

EASY LIFT 3000 is packed with a column separated from the base.

When you open the packages check that the shipped parts correspond to all the Easy Lift parts and check their integrity.

You must do this in front of the forwarder because the goods, unless different agreements subscribed during the contract phase, travel at purchaser's risk .

Any claim, for transport damages, caused by an incorrect load, unload and unpackaging, can not be charged to the manufacturer company.

## 5. BACKING GROUND FOR EASY LIFT 3000

The backing ground for this crick lift must be levelled, without depressions and with fit characteristics to load support.

### **ATTENTION!!!!!!**

The non-observance of this precise prescription can involve risks of the turnover of the load with serious risks for people and things.

## 6. MOVEMENT

The movement of the packages will be done according the safety rules and by personnel well trained in this field. The staff must wear correct protective clothing.

It is forbidden to move the package in which the Lift is contained by hand.

EASY LIFT 3000 is partially assembled.

It is possible to connect the feed hoses from the compressed air to the pump and from the pump to the cylinder only after fixing the column to the base.

## 7. OPERATING AREA FOR EASY LIFT 3000

EASY LIFT 3000 must be used, for safety reasons, respecting its minimum area of pertinence, with a correct distance from other equipment or from the walls of the working place.

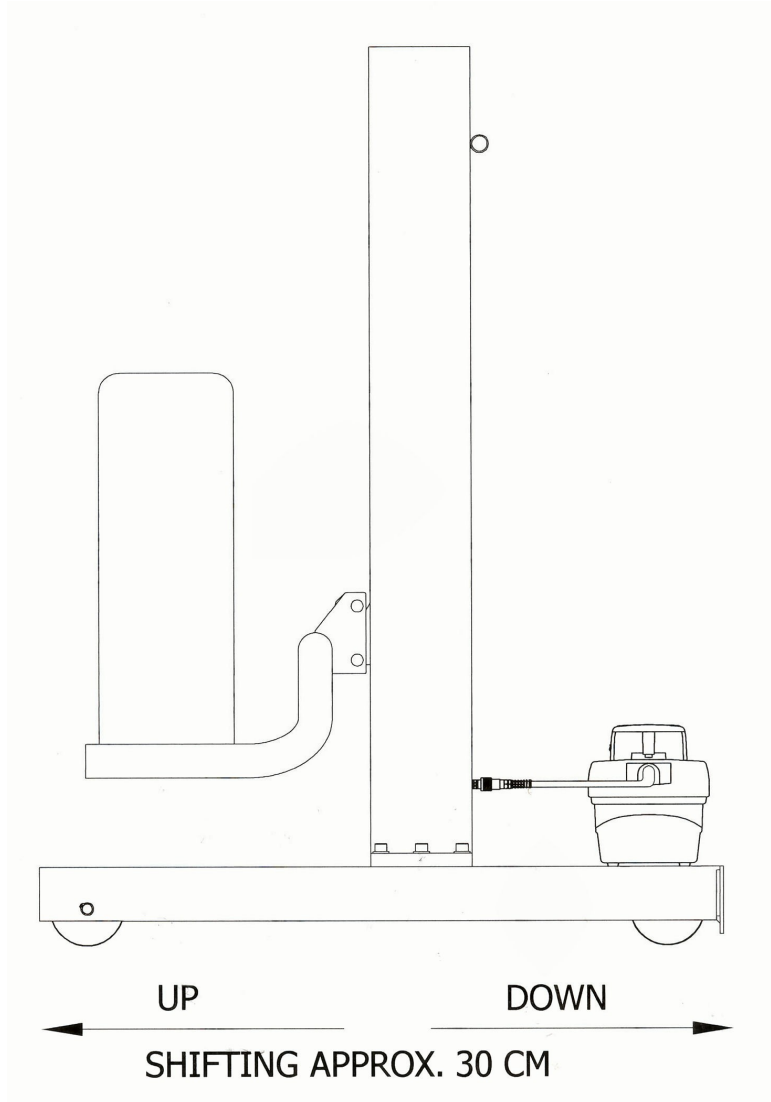
We suggest to define this working area with strips on the floor or with special small columns equipped of chains to avoid the access in the working area to unauthorised persons.

The prescription has the purpose to avoid the transit of people not assigned to the work, in the safety area, when the load is lifted.

All the manoeuvres of lifting, stopping and lowering must be done at sight with a maximum attention by the operator. Nobody must stay in the manoeuvre and pertinence area of the equipment.

During the raising phase of the load EASY LIFT 3000 will advance about 30 cm because of its lifting effect, while during the descending phase there will be a withdrawing of the same distance (see picture 1). The raising and descending operations must be done by an operator who has a free escape.

**PICTURE N°1**



## 8. POWER SUPPLY CONNECTION

The connections that follow must be performed with the lift in off position:

- Connect the flexible hose, coming from the pneumatic supply, to the pump – be sure that the inlet pressure is between 8 to 10 bars. Check that the pneumatic system has been prepared with a correct condensate drying system.
- Connect the pump flexible hose to the cylinder verifying that the coupling is correctly inserted.

## 9. INITIAL STARTING AND OPERATION

After learning the control functioning, connect the power supply and proceed with the following actions:

### RAISING:

- PLEASE BE SURE THAT THE VEHICLE WHEELS ARE AT THE PROPER PRESSURE TO USE AS INDICATED BY THEIR MANUFACTURER OF THE VEHICLE
- Be sure of the efficiency of the parking brake before lifting the vehicle.
- Be sure of blocking the vehicle using the parking brake.
- Position the lift in such a way that the fork completely fits to the tire sides. If you use a clamp to repair the vehicle sheet be sure of its correct positioning.
- Be always sure of the correct positioning of the lifting arm before lifting the load.
- Press the pump pedal - side A (see drawing 2) - to lift the vehicle to the desired height.
- After reaching the desired height, release the pedal and put the load under safety inserting the supplied pin in the hole in the column.
- Press the pump pedal - side B (see drawing 2) - to let the trolley of the lift lean on the safety pin.

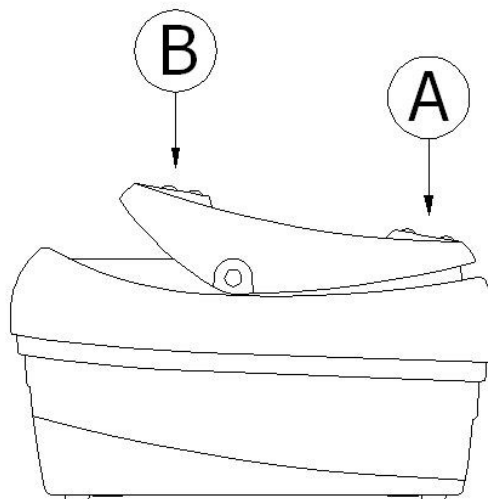
### LOWERING:

- Press the pump pedal – side A (see drawing 2) to release the trolley from the safety pin.
- Take the safety pin away from the hole where it was inserted in.
- Press the pump pedal – side B (see drawing 2) to lower the vehicle at the desired height or to the ground.
- Take the lift away from the vehicle.
- Now you can move the vehicle away.

**ATTENTION!!!!** After working or for a protracted stop EASY LIFT 3000 must be brought to its rest position.

Never leave the load in upper or in standing position without operator.

**PICTURE 2**



## 10. WARNING – PRECAUTIONS WHEN IN USE

- EASY LIFT 3000 must be used only by personnel of full age, duly trained and authorised, been provided with this instruction manual.
- The instruction manual must be read carefully and duly applied in any part.
- It is forbidden to use the machine to lift people.
- Before starting the lifting/lowering operations, make sure that the structure is clear of tools, rags and objects of any kind.
- If there are electric cables in the operating area (because of working lights, portable tools, etc.), be sure that they do not pass over the structure or rest on it, in order to avoid the risk of cutting them and thus rendering the metal structure of the lift alive. This operation is compulsory before using EASY LIFT 3000.
- When positioning EASY LIFT 3000 under the vehicle wheels, or under the vehicle underbody (using the supplied supports), make sure of the correct position of the lifting fork/support.
- Do not lift the load without being sure of the stability of the fork or the support..
- Keep the load under observation, especially during the raise, to avoid incorrect inclinations or troubles. If so, bring the load down and place the lift in such a way to have a balanced distribution of the load.
- Comply with EASY LIFT 3000 operating area established by the manufacturer.
- Clean the fork/support whenever it is dirtied to avoid the risk of load sliding.
- Never manipulate or unscrew any part of the lift, to avoid dangerous separations of the parts.
- Always bring the load down to the round at the end of working hours, and avoid leaving the lift loaded in standing position for a long period.
- Never exceed the maximum capacity of the lift Kg 1500.
- Once positioned the vehicle, always insert the safety pin in the column to hold the load.

## 11. TROUBLES, CAUSES AND REMEDIES

The following is a list of the possible troubles, their causes and remedies.

If the problem is not included in the list, stop the use of the lift and immediately contact the manufacturer or the authorised dealer to receive appropriate instructions.

It is recommended to employ trained personnel to avoid manipulation of the lift or its controls.

TRoubles	CAUSES	REMEDIES
EASY LIFT 3000 stops while lifting	There are obstacles in the lifting column	Bring the load down, turn off the power supply and remove the obstacle
The controls are on but the crick-lift does not function	Excessive load	Check the load weight and follow the manufacturer instructions.
	The air supply is not enough.	Check that the air supply is between 8 and 10 bars
The crick-lift comes down without using the pump controls	Dirt in the pump release valve	Contact the manufacturer before making any reparation
Oil leaking from the pump	Wearing of the grommets	Contact the manufacturer before making any reparation
Oil leaking from the flexible hose	Wearing or cutting of the hose	Replace the flexible hose
Oil leaking from couplings	Wearing or defect of the coupling	Replace the detective coupling

## 12. SAFETY DEVICES

**Safety pin of the lifting trolley:** it must be inserted before making any operation with load lifted. This pin blocks the descent of the trolley in the event of the accidental breaking of the chain.

**Descent control valve on the pump:** to allow a smoother descent of the crick-lift.

### ATTENTION!!!!

Remember that it is good behaviour to bring the load down in case of a long standing.

When the lift is in use the operative area must be completely free from any obstacle and people not related to the operation of repairing/maintenance.

## 13. TECHNICAL DATA OF EASY LIFT 3000

Weight of the lift with pump	85 Kg
Maximum lifting capacity	1.500 Kg
Vehicle max. load	3.000 Kg
Maximum lifting height	995 mm
Lift height	1.330 mm
Lift width	660 mm
Lift length	1.010 mm
Functioning	Hydro-pneumatic
Hydro-pneumatic pump setting	350 Bar

## 14. INDIVIDUAL PROTECTIONS

The operator must always use protective work clothing as established by the law and must adopt all the safety procedures which are compulsory in work places .

When using EASY LIFT 3000 the operator must follow the standard law, the company procedures and his good sense, for his own protection, the protection of people and things according to the instructions written in this manual.

## 15. CHECKS AND MAINTENANCE

All the checks must always be when the power supplies are off and the lift not in operation.

The check must be at sight since EASY LIFT 3000 does not compel the operator to do a special maintenance.

Periodically check the flexible hose and the fast couplings.

Periodically check the oil level in the pump.

Grease the internal part of the column (where the trolley slides on) every 3 months.

These simple procedures will preserve the lift from troubles and defects during use.

## 16. CLEANING

Clean EASY LIFT 3000 with care at least one a week, removing dirt, dust and any possible smearing substances.

Use self-cleaning cloths. Do not use water, inflammable or corrosive liquids.

## 17. WARRANTY AND SPARE PARTS

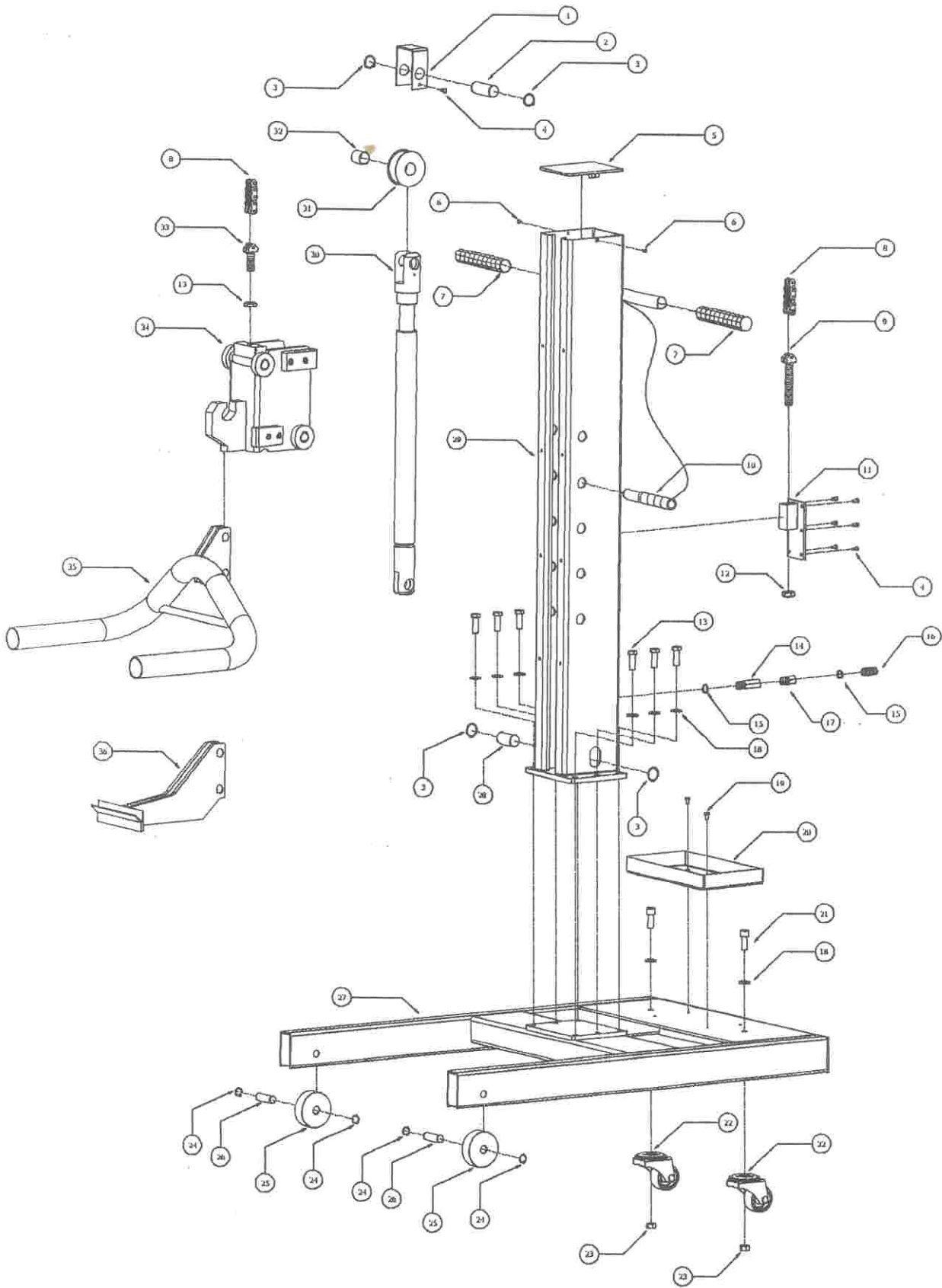
Every part of EASY LIFT 3000 is covered by a 12 month warranty; this warranty will not be applied in case of tampering or if the serial numbers or any other identifiable data of the machine printed on the label have been damaged or removed.

With the exception of the cases covered by warranty or of parts subjected to normal wearing and tearing, the manufacturer reserves the right to satisfy the customers' request in relation to the extent of the damage and to the possible restoration of EASY LIFT 3000 to its mechanical and operative safety standard.

The after-sale services under warranty are included by law.

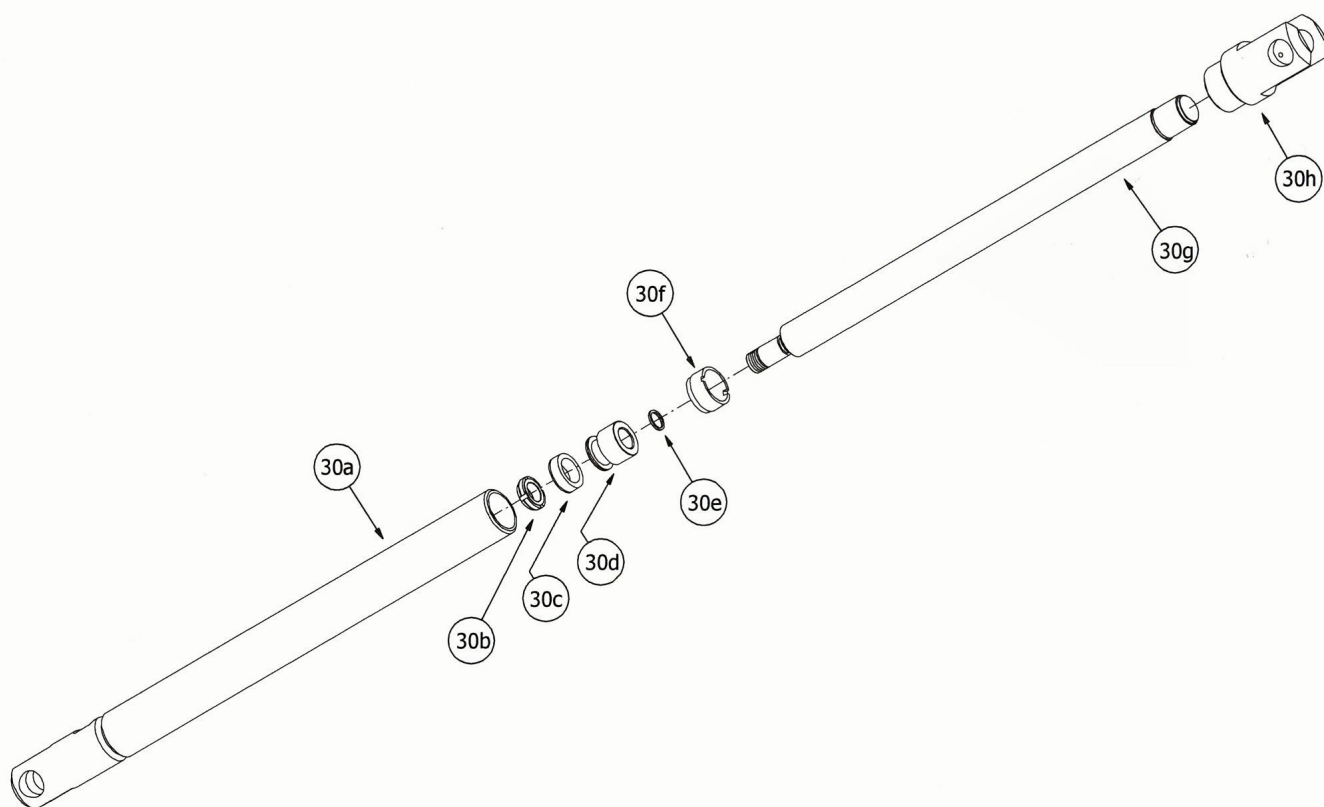
# Esploso Easy Lift

Fig. 6



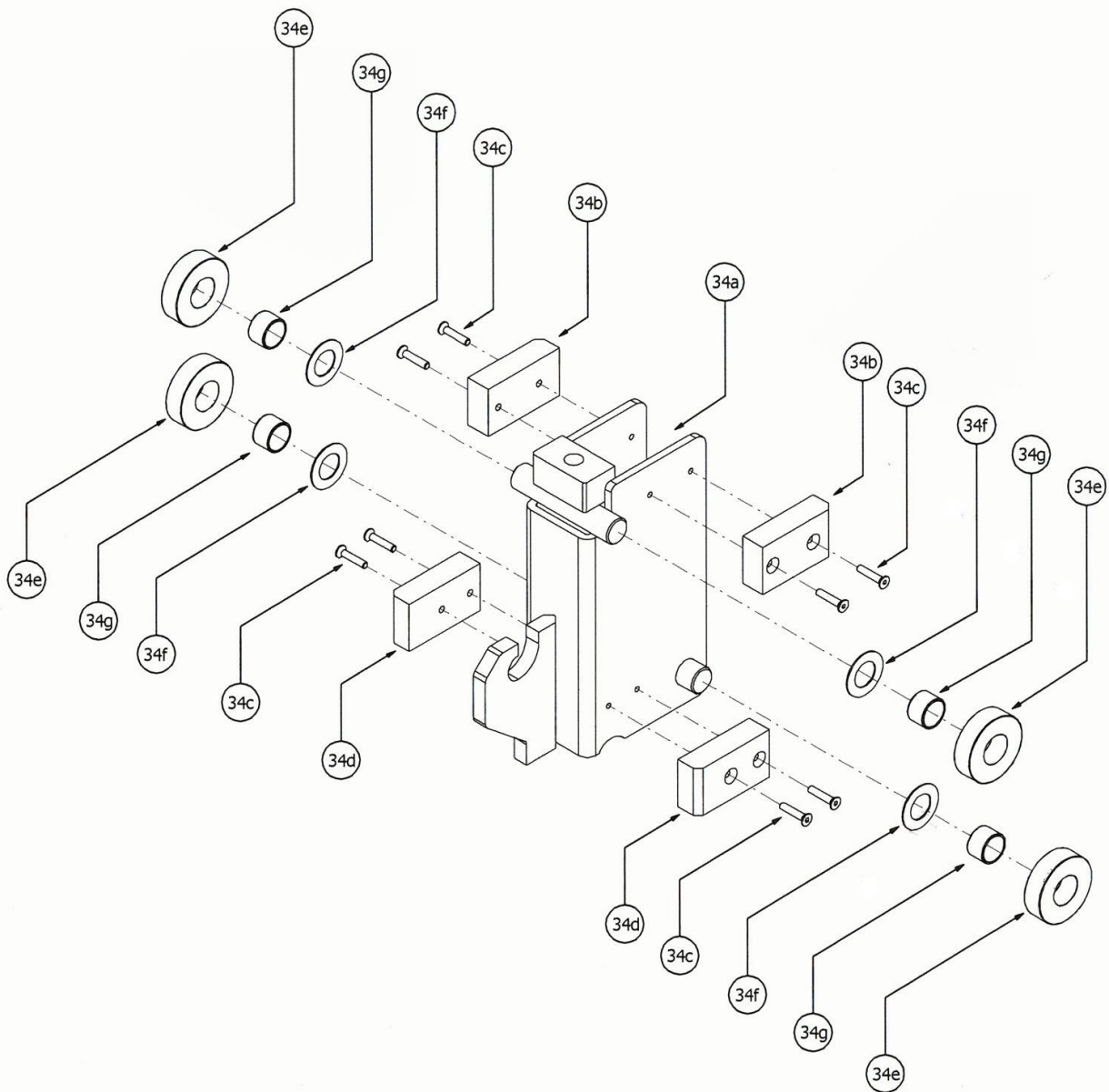
<b>Pos.</b>	<b>Code</b>	<b>Description</b>	<b>Q.ty</b>
1	EL3000.11	Chain protection	1
2	EL3000.12	Pin for chain roll	1
3	4A.08	circlip	4
4	1C.09	Screw	7
5	EL3000.19 C	Cup for support	1
6	1D.17	screw	1
7	19B.07	Hand grip	1
8	CABL546EL	chain	1
9	EL3000.21	Long fastening for chain	1
10	EL3000.15 A	Safety pin	1
11	EL3000.09 C	Chain support	1
12	2D.08	nut	2
13	1A.15	screw	6
14	15C.07	Standoff vuba	1
15	3B.01	Washer	3
16	15A.01	Nipples	1
17	35C.03	Parachute valve	1
18	3A.09	washer	8
19	1B.05	screw	2
20	EL3000.25	Pump container	1
21	1C.32	screw	2
22	39A.12	Pivoting wheel	2
23	2D.06	nut	2
24	4A.17	circlip	4
25	EL3000.18	Wheel	2
26	EL3000.13	Pin for wheel	2
27	EL3000.01 C	Base structure	1
28	EL3000.14	Pin cylinder support	1
29	EL3000.02 C	column	1
30	EL3000.04 A	Cylinder complete	1
31	EL3000.16	Chain roll	1
32	GLYBG25283F	Axle bearing	1
33	EL3000.20	Short fastening for chain	1
34	EL3000.03 A	Complete trolley	1
35	EL3000.26 C	Fork 2	1
36	EL3000.10	Fork 1	1

## Cylinder exploded view (EL3000.04 A)



<b>Pos.</b>	<b>Code</b>	<b>Description</b>	<b>Q.ty</b>
30a	EL3000.04 C	Cylinder barrel	1
30b	14A.01	Self-blocking collar	1
30c	6E.10	packing	1
30d	EL3000.06	Packing holder	1
30e	6A.12	O-Ring	1
30f	EL3000.08	collar	1
30g	EL3000.05	Piston rod	1
30h	EL3000.07	Fork for piston rod	1

## Trolley exploded view (EL3000.03 A)



<b>Pos.</b>	<b>Code</b>	<b>Description</b>	<b>Q.ty</b>
34a	EL3000.03 C	Trolley body	1
34b	EL3000.23	Upper gib plate	2
34c	1D.22	screw	8
34d	EL3000.22	Lower gib plate	2
34e	EL3000.24	Trolley bearing	4
34f	37A.29	Axial center plate	4
34g	GLYBG202315F	ferrule	4



**DICHIARAZIONE DI CONFORMITA' CE  
DECLARATION OF CONFORMITY CE**

**Fabbricante - Manufacturer**

C.M.O. di Sodini Dino e c. s.n.c.  
Via Aurelia Ovest, ex Area Fibronit – 54100 Massa (Italia)

**Fascicolo Tecnico e Dichiarazione di Conformità a cura di:  
Technical Documentation and Declaration of conformity by:**

C.M.O. di Sodini Dino e c. s.n.c., Legale Rappresentante Dino Sodini,  
domiciliato in Via Aurelia Ovest, ex Area Fibronit – 54100 Massa (Italia)

**Denominazione della macchina e funzione- Name of machinery and function:**

EASY LIFT 3000  
CRICK IDROPNEUMATICO PER SOLEVAMENTO A RUOTA AUTOVEICOLI

**Numero di serie e anno di costruzione - Serial number and year of costrution**

\_\_\_\_\_ / \_\_\_\_\_

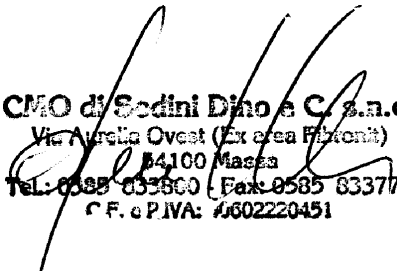
Il fabbricante dichiara che la macchina corredata dalla presente Certificazione è conforme a tutte le disposizioni della Direttiva Macchine 2006/42/CE, concernente il ravvicinamento delle legislazioni degli stati membri relative alle macchine, entrata in vigore dal 29.12.2009. Dichiara altresì la conformità alla Uni En 982/2007, requisiti di sicurezza relativi a sistemi e loro componenti per le trasmissioni oleodinamiche e pneumatiche.

The manufacturer declares that the machine with the present certification complies all the dispositions of 2006/42/CE (machinery directives), regarding the unification of all the Countries members' laws about the machinery of 29th December 2009. Also declares that complies all the dispositions of Uni En 982/2007 safety requirements related to systems and components for hydraulic and pneumatic transmissions.

Massa, .....

Nome, firma e timbro equivalente alla persona autorizzata.

Name, signature and stamp of the authorised person.

  
**C.M.O. di Sodini Dino e C. s.n.c.**  
Via Aurelia Ovest (Ex area Fibronit)  
54100 Massa  
Tel: 0585 833800 Fax: 0585 833777  
C.F. e P.IVA: 0602220451

L' Amministratore Dino Sodini